

tel: (852)2116-1972

fax: (852)2116-1973





## OUR VISION

**ORCA BOLTS LIMITED (安卡高有限公司)** specializes in fasteners and fixing systems. Our main partnering factories are experienced leading manufacturers in construction markets. To strengthen our quality system, products are sampled for testings in **Hong Kong accredited laboratories**. **Test certificates and professional technical support** are provided for our valued customers. Our employees are being trained to look after our customers' needs. Our mission is to supply high quality products with competitive prices.

### FEATURES OF ORCA ORDINARY STEEL BOLTS AND SCREWS

- Experienced partnering factories
- Quality checks in Hong Kong accredited laboratories
- Supplied with test certificates
- Competitive prices
- Professional technical support
- Continuity of supply
- Delivery service available

## **INTRODUCTION** page 4-5

### **STEEL** page 6-47

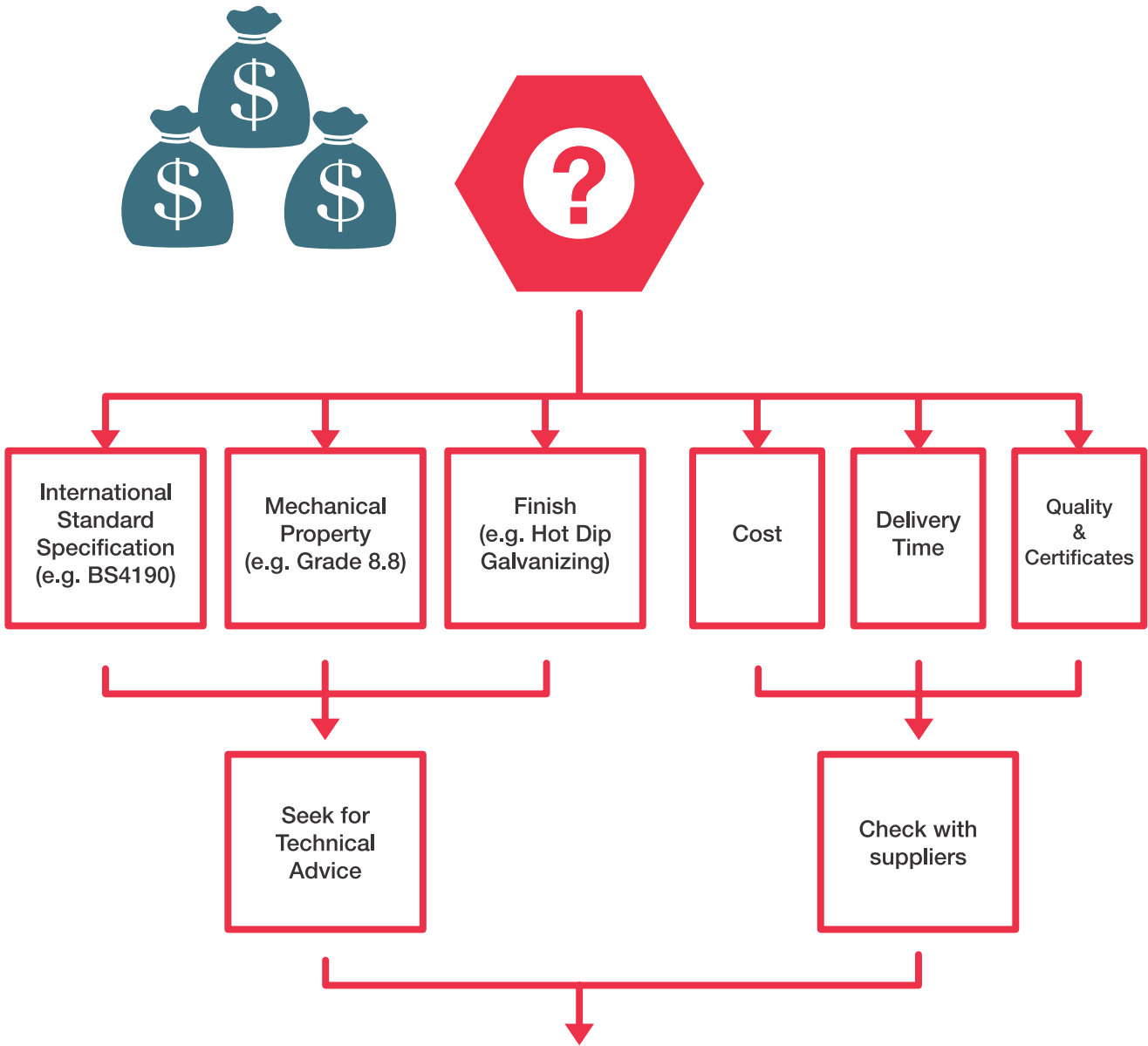
- General Information / page 8-12
- Ordering Code / page 14-17
- BS 4190 Screws/Bolts & Nuts / page 20-24
- BS 3692 Screws/Bolts & Nuts / page 26-30
- Flat Washers, Spring washers / page 31-33
- Threaded Rods / page 34
- Useful Information / page 36-47

### **STAINLESS STEEL** page 48-80

- General Information / page 50-55
- Ordering Code / page 57-59
- Screws/Bolts & Nuts / page 60-70
- Flat Washers, Spring Washers, Nylon Washers / page 71-75
- Threaded Rods / page 76
- Useful Information / page 78-80

# **TABLE OF CONTENT**

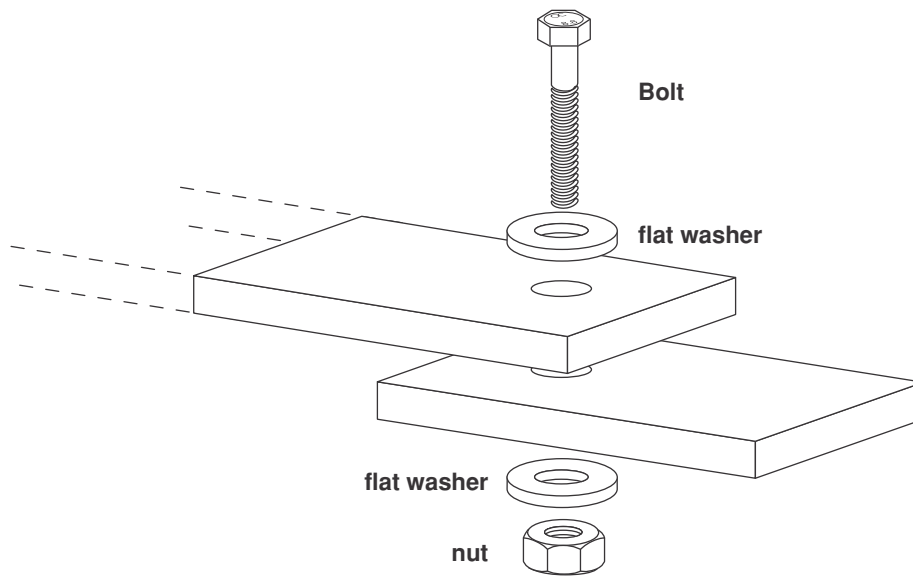
## HOW TO MAKE YOUR BEST CHOICE?



"OCB" may work out the solution for you.



## TYPICAL BOLT & NUT ASSEMBLY



### Primary Function:

**Bolt** A bolt is the term used for a threaded fastener, with a head, designed to be used in conjunction with a nut. It acts as the medium to hold the objects together and to translate torque into linear force

**Nut** To act as the instrument through which the tension is induced into the bolt or screw and to continue to retain that tension and thus, the clamp load in the assembly

**Flat Washer**

- To spread the clamp load over a larger surface area
- To cover an oversize or elongated hole
- To reduce the friction of the rotated component
- To protect the work piece surface from damage by the rotated component
- To provide a locking or vibration resistant function

